

A C D E U

# Priming Assisted Centrifugal Pump Diesel Engine Driven



## Models PA6B60-6081A and PA6B60-6081A-A Size 6" x 6"

Total Head		Capacity of Pump in U.S. Gallons per Minute (GPM) at Continuous Performance			
P.S.I.	Feet				
181.2	420	300	300	300	300
173.4	400	710	710	710	710
151.7	350	780	1150	1240	1240
130.1	300	790	1165	1480	1610
108.4	250	795	1175	1498	1760
86.7	200	798	1178	1500	1775
65.0	150	800	1180	1500	1780
<b>Suction Lift</b>		<b>25'</b>	<b>20'</b>	<b>15'</b>	<b>10'</b>

### PUMP SPECIFICATIONS

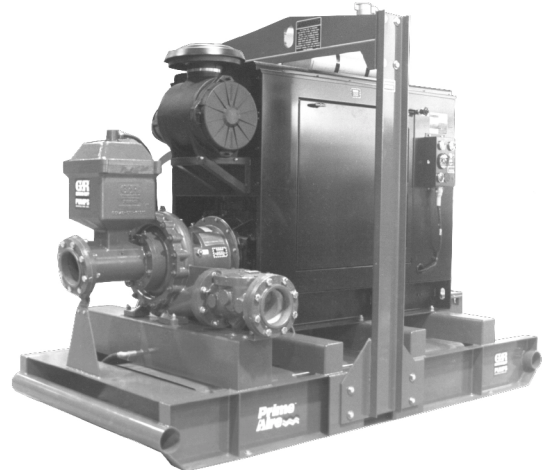
**Size:** 6" x 6" NPT (152 mm x 152 mm) - Female.  
**Casing:** Gray Iron No. 30. Maximum Operating Pressure 273 psi (19,2 kg/cm<sup>2</sup>).\*  
**Enclosed Type, Six Vane Impeller:** Gray Iron No. 120-90-02. Handles 11/16" (17,5 mm) Diameter Spherical Solids.  
**Impeller Shaft:** Stainless Steel No. 17-4 PH.  
**Replaceable Wear Rings:** Bronze No. C83600.  
**Intermediate Bracket:** Gray Iron No. 30.  
**Seal:** Mechanical, Oil-Lubricated, Double Floating Self-Aligning, Silicon Carbide Rotating and Stationary Faces. Fluorocarbon Elastomers (DuPont Viton® or Equivalent). Stainless Steel No. 18-8 Cage and Spring. Maximum Temperature of Liquid Pumped, 160°F (71°C).\*

\* Consult Factory for Applications Exceeding Maximum Pressure and/or Temperature Indicated.

**Shaft Sleeve:** Stainless Steel No. 17-4 PH.  
**Priming Chamber:** Gray Iron No. 30.  
**Discharge Check Valve:** Gray Iron No. 30 Housing. Buna-N Flapper.  
**Bearing:** Open Double Ball.  
**Bearing Lubrication:** Grease.  
**Flanges:** Gray Iron No. 30.  
**Gaskets:** Vegetable Fiber and Red Rubber.  
**O-Rings:** Fluorocarbon Elastomers (DuPont Viton® or Equivalent) and Buna-N.  
**Hardware:** Standard Plated Steel.  
**Seal Cavity Oil Level Sight Gauge.**

**PA6B60-6081A-A ONLY:** Liquid Level Controls: Submersible Transducer\* and Electronic Pressure Switch (EPS) Control with Start/Stop Set Point Adjustments for Automatic Filling/Emptying.  
 \* 50 Ft. (15 m) Standard Length; 150 Ft. (46 m) Maximum; Specify Length at Time of Order.

**Standard Equipment:** Gear-Driven Air Compressor. Hoisting Bail. Skid Base. Strainer.  
**Optional Equipment:** Battery.



PA6B60--6081A SHOWN



**WARNING!**

Do not use in explosive atmosphere or for pumping volatile flammable liquids.

### ENGINE SPECIFICATIONS

**Model:** John Deere 6081AF001 "Power Tech".  
**Type:** Six Cylinder, Four Cycle, Turbocharged, and AfterCooled Diesel Engine.  
**Displacement:** 496 Cu. In. (8,1 liter).  
**Governor:** Mechanical.  
**Lubrication:** Forced Circulation.  
**Air Cleaner:** Dry Type.  
**Oil Reservoir:** 32.75 U.S. Qts. (31 liter) Dry; 33.75 U.S. Qts. (32 liter) Refill.  
**Fuel Tank:** 100 U.S. Gals. (378 liter).  
**Full Load Operating Time:** 11 Hrs.  
**Starter:** 12V Electric.

**Standard Features:** Low Oil Pressure and High Coolant Temperature Safety Shut Down Switches. Instrument Panel Includes: Coolant Temperature Gauge, Oil Pressure Gauge, Vernier Throttle Control, Tachometer, and Hourmeter. Exhaust Muffler w/Weather Cap.

**JOHN DEERE PUBLISHED PERFORMANCE:**  
 Maximum Continuous BHP215 (160 kW) @ 2200 RPM



THE GORMAN-RUPP COMPANY • MANSFIELD, OHIO

GORMAN-RUPP OF CANADA LIMITED • ST. THOMAS, ONTARIO, CANADA

Specifications Subject to Change Without Notice

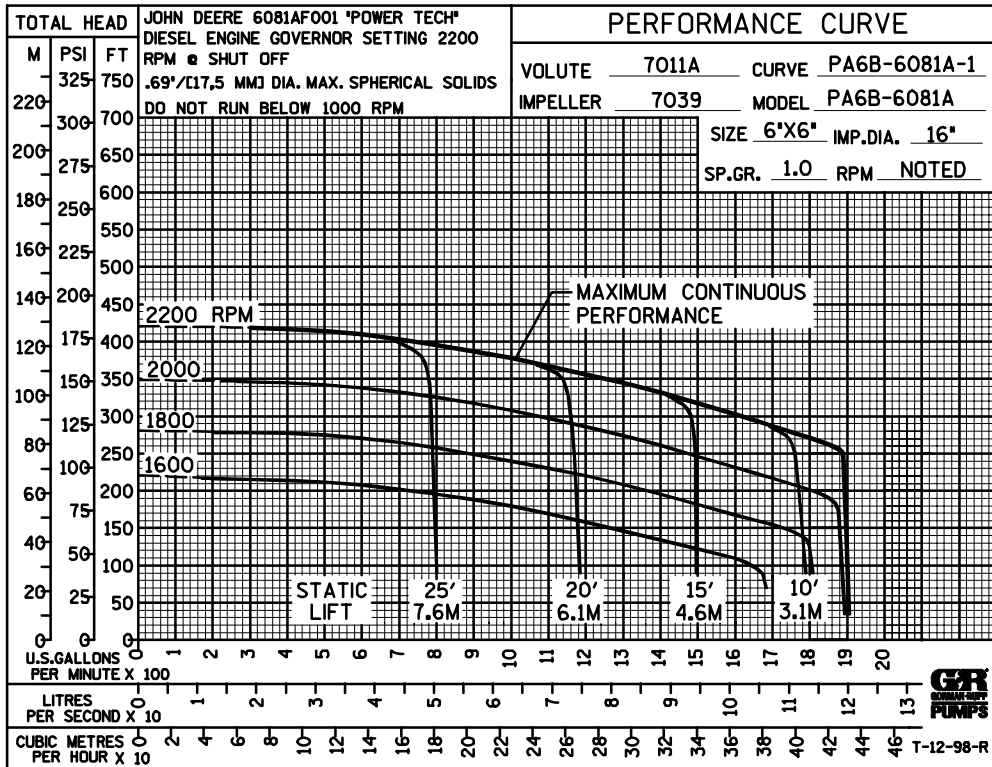
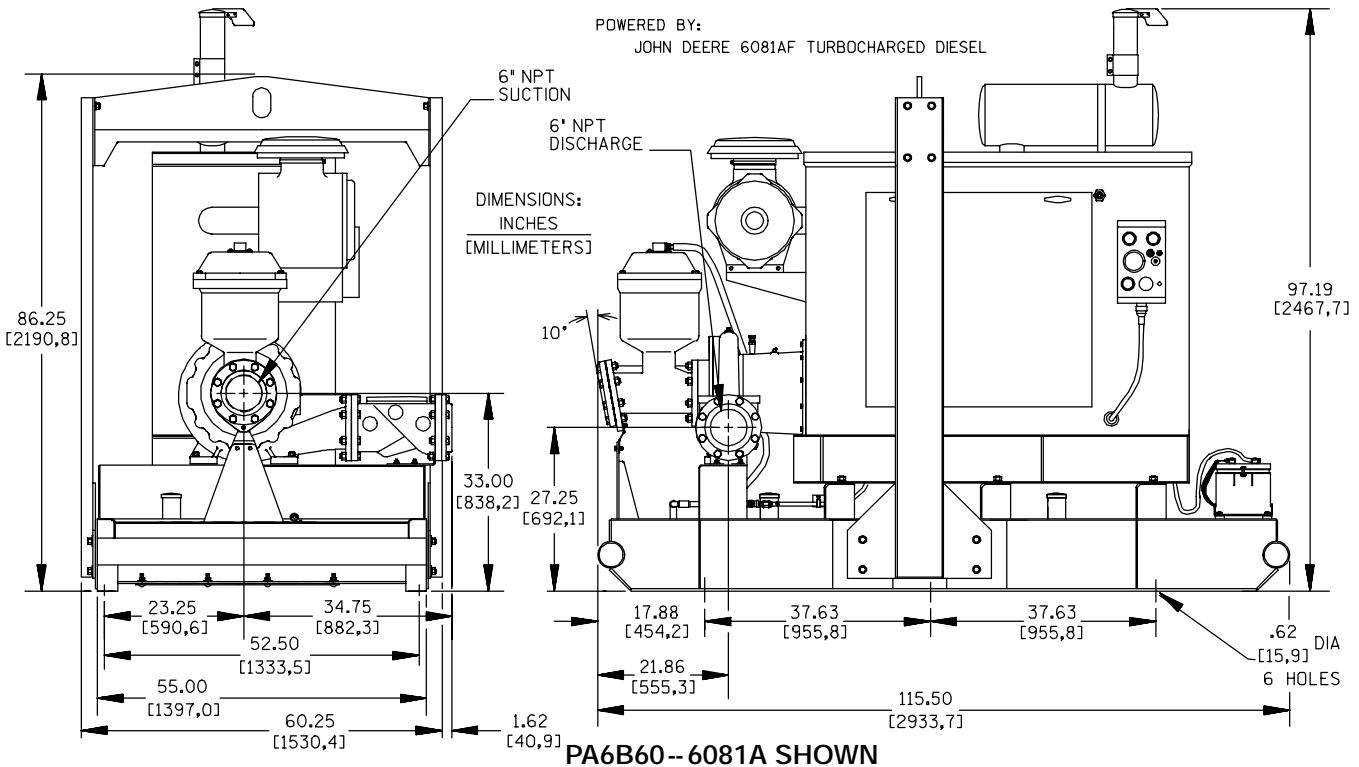
Printed in U.S.A.

**Specification Data**

APPROXIMATE  
DIMENSIONS and WEIGHTS

NET WEIGHT: 5450 LBS. (2472 KG.)  
SHIPPING WEIGHT: 5630 LBS. (2554 KG.)  
EXPORT CRATE SIZE: 552 CU. FT. (156 CU. M.)

SECTION 42, PAGE 1000



THE GORMAN-RUPP COMPANY • MANSFIELD, OHIO

GORMAN-RUPP OF CANADA LIMITED • ST. THOMAS, ONTARIO, CANADA

Specifications Subject to Change Without Notice

Printed in U.S.A.